

Congratulations on your purchase of a BRINKS® outdoor Dusk-to-Dawn Coachlight. You have purchased a safe, dependable, easy-to-install security lighting system. You can use this fixture at home for outdoor lighting applications.

MOUNTING ACCESSORIES INCLUDED: A- Mounting Bar B- Mounting Screws C- Fixture Screws (Longer) D- Fixture Screws (Longer)

IMPORTANT SAFETY INFORMATION

THIS PRODUCT MUST BE INSTALLED IN ACCORDANCE WITH ALL APPLICABLE INSTALLATION CODES.

- IF YOU ARE NOT FAMILIAR WITH ELECTRICAL WIRING, IT IS RECOMMENDED THAT YOU SECURE THE SERVICES OF A WELL QUALIFIED ELECTRICIAN WHO CAN ASSURE THAT THIS INSTALLATION MEETS LOCAL, STATE, AND NATIONAL CODES.
- BE SURE POWER IS TURNED OFF AT THE MAIN POWER PANEL OR FUSE BOX PRIOR TO INSTALLATION OR REPLACING FIXTURE.
- Before installing this fixture, be sure to check with local ordinances regarding approved outdoor lighting. This fixture style may not be allowed in some areas.
- This fixture is for outdoor use only.
- The electrical system and the method of connecting the fixture to the system must be in accordance with local, state, and national electric codes.
- This fixture is to be connected to a 120 volts, 60 Hz power source. Connecting to a different power source may create a hazard and will void the warranty.
- All outdoor fixtures should be mounted to a grounded junction box marked for use in wet locations.
- Do not use near or around flammable/combustible material or liquids.
- The lamp and fixture can get hot during use. Turn off the power and allow the fixture and lamp to cool for at least 20 minutes prior to working on the unit.
- Never use a lamp with a higher wattage than the stated maximum allowed on the fixture. Using a higher wattage lamp may cause a fire hazard and/or damage to the unit.
- Do not attempt to open the fixture housing. There are no serviceable parts inside.
- Fixture must not be installed facing reflective surfaces closer than five (5) feet.

NOTE

- This fixture is equipped with a photo cell which automatically turns off the light during the daylight.

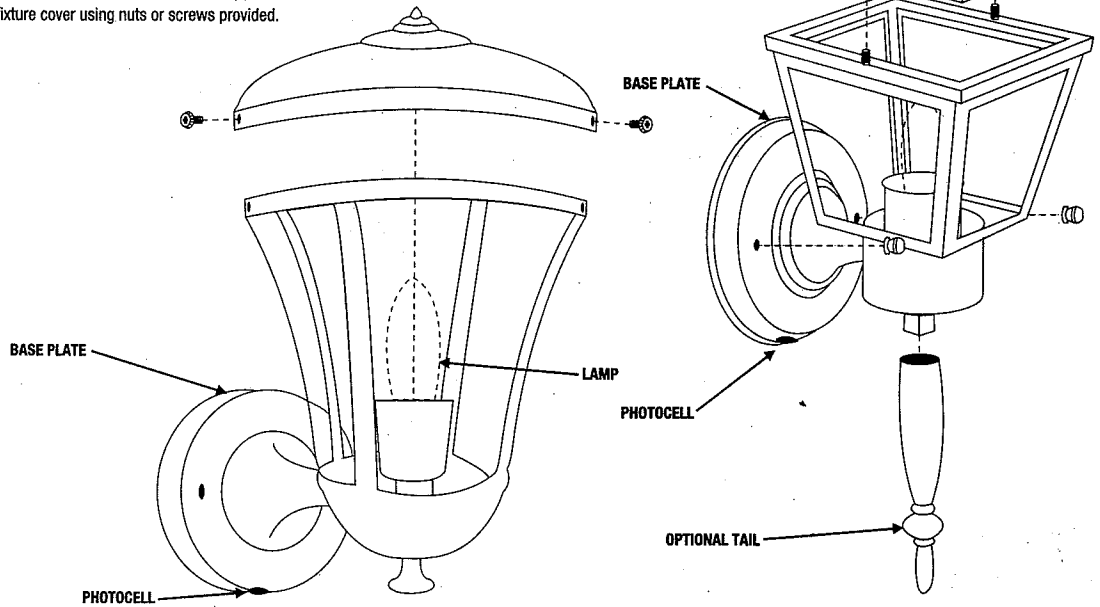
PRIOR TO INSTALLATION

Carefully read through the entire installation instructions before installing this security light fixture.

WARNING: BE SURE POWER IS OFF AT MAIN POWER PANEL/FUSE BOX BEFORE INSTALLING OR REPLACING FIXTURE. THIS PRODUCT MUST BE INSTALLED IN ACCORDANCE WITH THE APPLICABLE INSTALLATION CODES BY A PERSON FAMILIAR WITH THE CONSTRUCTION AND OPERATION OF THE PRODUCT AND THE HAZARDS INVOLVED.

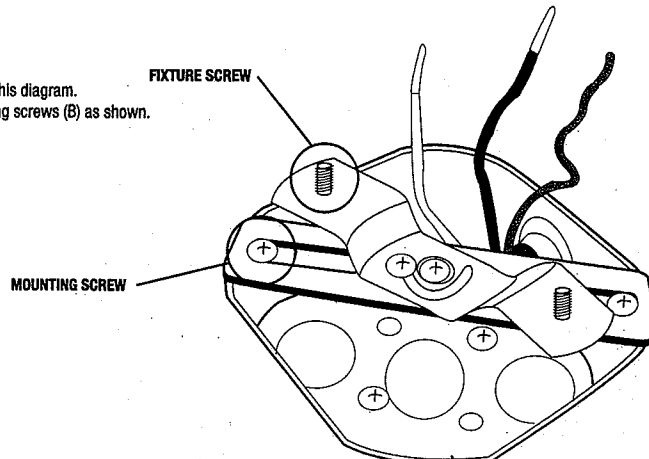
ASSEMBLY INSTRUCTIONS

- Remove the cover assembly nuts or screws.
- Take off the cover and install lamp. Please see diagrams for detail.
- Install the fixture cover.
- Secure the fixture cover using nuts or screws provided.



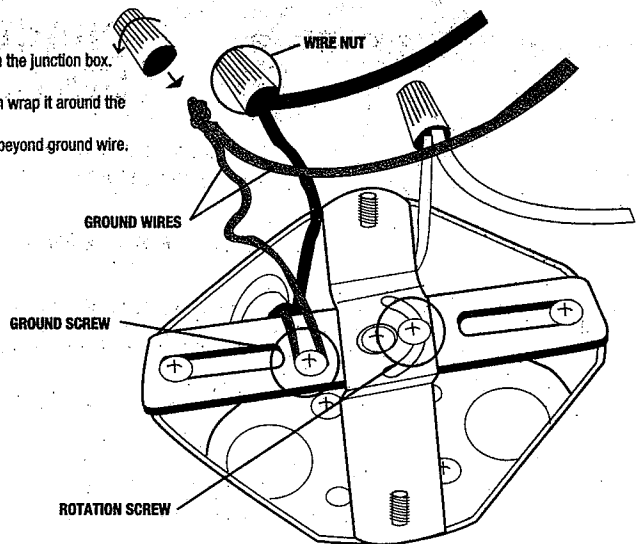
PREPARATION

- Be certain to turn the power OFF.
- Pull out all wires (Black, White, and Ground) from junction box.
- Thread the provided fixture screws (C) into the mounting bar (A) as shown in this diagram.
- Secure the mounting bar (A) to the junction box by using the provided mounting screws (B) as shown.



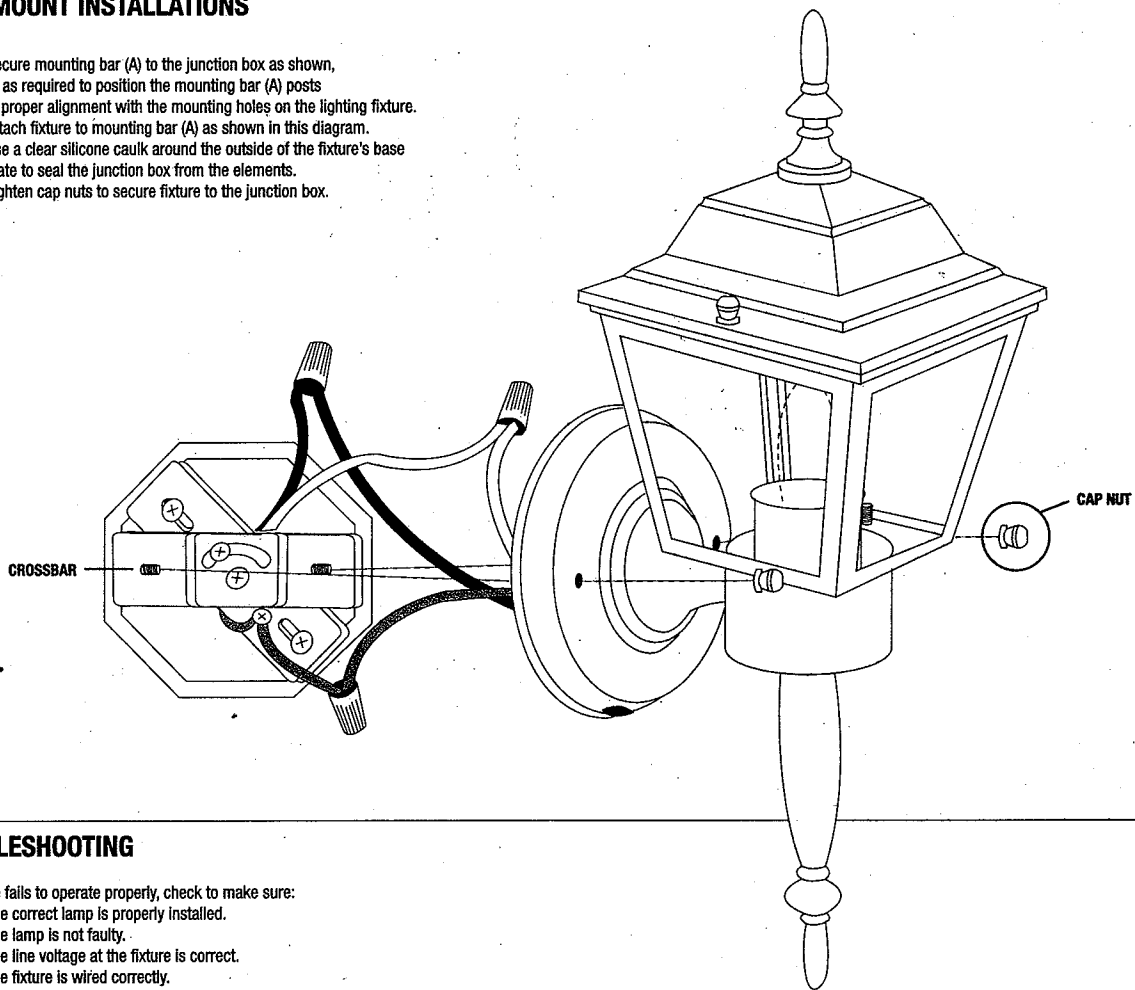
WIRING

- Using wire connectors, connect the white wire from the fixture to the white wire from the junction box.
- Connect the black wire from the fixture to the black wire from the junction box.
- If the junction box has a ground wire, pull the ground wire from the junction box, then wrap it around the ground screw on the mounting bar as shown in this diagram.
- Tighten the ground screw on the mounting bar (A) and leave 2 to 3 inches in excess beyond ground wire.
- Connect the junction ground wire the fixture ground wire.
- Tighten the rotation screw to secure the crossbar.
- **NOTE:** Some junction boxes may NOT have a ground wire. In this case, connect the ground wire from the fixture to the mounting bar (A).



WALL MOUNT INSTALLATIONS

- Secure mounting bar (A) to the junction box as shown, or as required to position the mounting bar (A) posts in proper alignment with the mounting holes on the lighting fixture.
- Attach fixture to mounting bar (A) as shown in this diagram.
- Use a clear silicone caulk around the outside of the fixture's base plate to seal the junction box from the elements.
- Tighten cap nuts to secure fixture to the junction box.



TROUBLESHOOTING

If this fixture fails to operate properly, check to make sure:

- The correct lamp is properly installed.
- The lamp is not faulty.
- The line voltage at the fixture is correct.
- The fixture is wired correctly.
- The fixture is grounded correctly.
- To check if fixture is operable during daylight hours, or to bypass photo sensor as your desire, simply cover the photo sensor with duct tape or black electric tape.

QUESTIONS: For further assistance or more information, please call 1-800-562-5625, 8 am – 5 pm (Pacific Time), Monday – Friday.

LIMITED LIFETIME WARRANTY

This Lighting Fixture is warranted to be free from defects in material and workmanship for the life of the product. If a defect in material or workmanship occurs, call 1-800-562-5625 for instructions on how to have the defective product repaired or replaced free of charge.

LIMITATIONS:

- This warranty only covers Brink's assembled lighting products and is not extended to other components, lamp, or equipment that is used in conjunction with the product.
- This warranty is extended to the original purchaser of the product. A purchase receipt or other approved proof of purchase is required before warranty service will be rendered.
- Unauthorized service or modification to this product or any furnished component will void this warranty in its entirety.
- THIS WARRANTY IS EXPRESSLY IN LIEU OF ALL OTHER WARRANTIES, EXPRESSED OR IMPLIED, INCLUDING ANY WARRANTY, REPRESENTATION OR CONDITION OF MERCHANTABILITY OR THAT THE PRODUCTS ARE FIT FOR ANY PARTICULAR PURPOSE OR USE, AND SPECIFICALLY IN LIEU OF ALL SPECIAL, INDIRECT, INCIDENTAL, OR CONSEQUENTIAL DAMAGES (INCLUDING BUT NOT LIMITED TO ANY LOSS OF BUSINESS OR PROFITS, WHETHER OR NOT FORESEEABLE) RESULTING FROM THE USE OF THE PRODUCT OR ARISING OUT OF ANY BREACH OF THIS WARRANTY. Some states or provinces do not allow the exclusion of incidental or consequential damages, so the above limitation or exclusion may not apply.
- This warranty gives you specific rights, and you may also have other rights that vary from state to state.

NOT COVERED

- Lamp Bulb(s)
- Failure of the product as result of an accident, misuse, abuse, negligence, alteration, or faulty installation, or any other failure not relating to faulty material or workmanship.
- Damage caused by separately purchased replacement bulbs.
- Corrosion and discoloration of brass components.
- Reimbursement for inconvenience, installation, setup time, loss of use, or unauthorized service.

