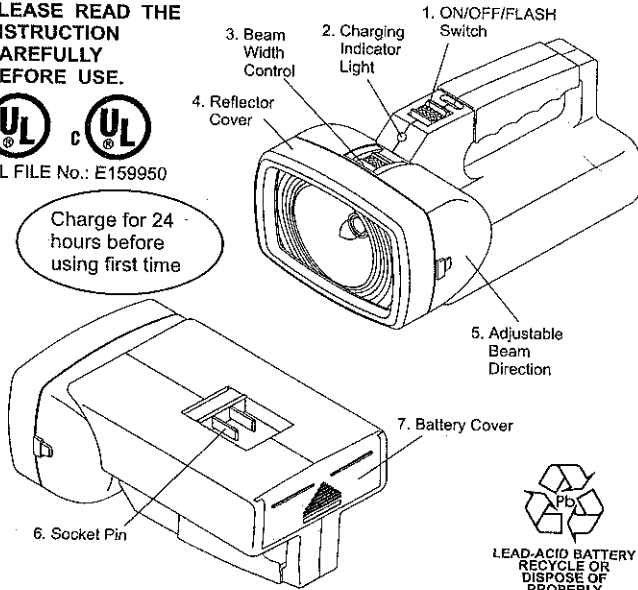


PLEASE READ THE INSTRUCTION CAREFULLY BEFORE USE.



UL FILE No.: E159950

Charge for 24 hours before using first time



1 THINGS YOU SHOULD KNOW

WARNING

- Read all the instructions printed on your Rechargeable Lantern.
- Keep this instruction in a safe and easy to reach location. Do not discard.
- Because the light may have been stored for a period of time before you bought it, charge it for 24 hours before you use it the first time.
- After the initial charge, your light will require only 15 hours to recharge.
- Do not immerse the light in water or charge it outdoors. It is not watertight.
- Do not charge the light in temperatures less than 5°C (40°F) or greater than 40°C (104°F).
- Under no circumstances should you break, crush, or burn the battery. It contain poisonous acid, which can cause skin burns, eye damage, and property damage on contact. Never charge a leaking battery.
- Keep the light out of the reach of children.

2 TO RECHARGE

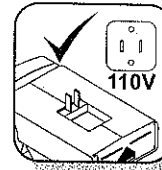


FIG. 1

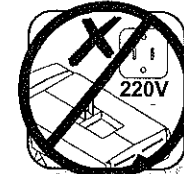


FIG. 2

IMPORTANT

- Make sure your lantern is suitable for the home electric supply before recharging. (See Fig. 1 and Fig. 2)
- Charge your light before using the first time.
- Always make sure the switch is "OFF" when not in use.
- If starting is slow or light is dim during operation, the battery is weak and should be recharged. Do not use the lantern in this condition. (It may damage the battery and cannot be recharged).

HOW TO RECHARGE

- Your lantern can be charged with the switch placed in position "OFF" or "FLASH".
- Switch to "FLASH" during charging can give emergency light when input power fails.
- Pull up socket pin by finger as illustrated.
- Ensuring that the charging pins fit correctly into the main power source. Charging is indicated by the L.E.D. light.
- Standard recharging time for full energy is about 15 hours.

WARNING: DO NOT RECHARGE WHEN BATTERY COVER IS OPENED. ALWAYS KEEP SOCKET COVER CLOSED WHEN NOT RECHARGING.

3 TO REPLACE LIGHT BULB

THIS RECHARGEABLE LANTERN USES KRYPTON BULB 6V 0.75A

- Switch lantern to "OFF" position.
- Make sure the lantern is disconnected from the electric supply.
- Push in the tabs located on each side of the lens/reflector assembly and pull off the rim. (See Fig. 3)
- Remove and replace bulb with new 6V 0.75A krypton bulb.
- Reassemble reflector cover into its closed position.

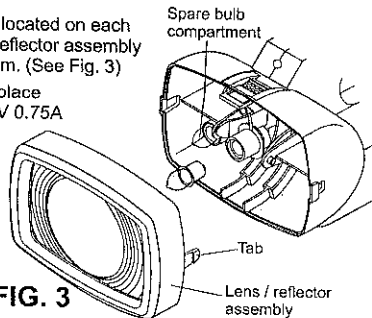


FIG. 3

WARNING: DO NOT RECHARGE WHEN REFLECTOR COVER IS OPENED.

4 TO CHANGE BATTERY

THIS RECHARGEABLE LANTERN IS POWERED BY SEALED LEAD-ACID BATTERY, 1 PC 6V 1.2Ah

- Other types of batteries may burst causing injury and damage.
- Make sure the light is dim and in the "OFF" position before replacing battery, there may be risk of electric shock.
- Open the battery door by sliding in the direction of the arrow. (See Fig. 4)
- Gently tap the end of the lantern on hard surface and battery will slide out.
- Replace with new battery. (Use only same specification indicated).
- Reassemble the battery door into its closed position.

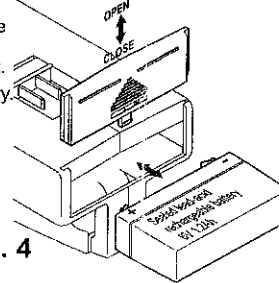
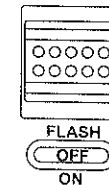


FIG. 4

WARNING: DO NOT RECHARGE WHEN BATTERY COVER IS OPENED.

5 OPERATION

- Switch "ON" for operation and switch "OFF" when not in use.
- Switch to "FLASH" for the intermittent illumination for those special emergency tasks.
- Switch to "FLASH" during charging can give emergency light when input power fails
- Operates up to 1 hour for continuous use on full charge.



6 TROUBLESHOOTING TIPS

If your lantern does not operate properly.

- Check the bulb filament, and replace the bulb if the filament is broken. (See # 3 "TO REPLACE LIGHT BULB")
- Make sure the light is turned off before plugging it into an outlet of charging.
- Make sure that the AC outlet you are using works by checking to see whether the red indicator LED is lit, or by plugging in a lamp or some other appliance.
- Make sure that the AC outlet is not controlled by a light switch that can turn off or dim the power without your being aware of it.

7 CLEANING AND STORAGE

- Use a rag or sponge dampened with warm water and mild soap (no abrasives) to clean the plastic parts. Do not use any detergent, solvent, or cleaners that may contain chemicals that could damage the plastic.
- Charge the light for at least 24 hours before using it again, especially if it has been stored for a long time since it was last charged.
- For best results, store and charge the light at room temperatures 15-29°C (60-85°F). Storage or charging at higher temperatures can reduce the life of the battery. Storage or charging at colder temperatures will not harm the light, but the power will be reduced in extreme cold.