

LIMITED LIFETIME WARRANTY

This product is warranted to be free from defects in material and workmanship for the life of the product. If a defect in material or workmanship occurs, call 1-800-562-5625 for instructions on how to have the defective product repaired or replaced free of charge.

LIMITATIONS

- This warranty only covers the assembled lighting fixture and is not extended to other components or equipment that is used in conjunction with the product.
- This warranty is extended to the original purchaser of the product. A purchase receipt or other approved proof of purchase is required before warranty service will be rendered.
- Unauthorized service or modification to this product or any furnished component will void the warranty in its entirety.
- THIS WARRANTY IS EXPRESSLY IN LIEU OF ALL OTHER WARRANTIES, EXPRESSED OR IMPLIED, INCLUDING ANY WARRANTY, REPRESENTATION OR CONDITION OF MERCHANTABILITY OR THAT THE PRODUCTS ARE FIT FOR ANY PARTICULAR PURPOSE OR USE, AND SPECIFICALLY IN LIEU OF ALL SPECIAL, INDIRECT, INCIDENTAL, OR CONSEQUENTIAL DAMAGES (INCLUDING BUT NOT LIMITED TO ANY LOSS OF BUSINESS OR PROFITS, WHETHER OR NOT FORESEEABLE) RESULTING FROM THE USE OF THE PRODUCT OR ARISING OUT OF ANY BREACH OF THIS WARRANTY.
- Some states or provinces do not allow the exclusion of incidental or consequential damages, so the above limitation or exclusion may not apply.
- This warranty gives you specific rights, and you may also have other rights that vary from state to state.

NOT COVERED

- Lamp Bulb(s)
- Failure of the product as a result of an accident, abuse, negligence, alteration, or faulty installation, or any other failure not relating to faulty material or workmanship.
- Damaged caused by separately purchased replacement bulbs.
- Corrosion and discoloration of brass components.
- Reimbursement for inconvenience, installation setup time, loss of use, or unauthorized service.

Hampton Products International Corp.
50 Icon
Foothill Ranch, Ca. 92610-3000
1-800-562-5625
www.hamptonproducts.com
Made in China
©2006 Hampton Products International Corp.
999-00076



dream
by Hampton

999-00076

Outdoor Wall
Mounted Fixture
Installation Instructions

dream
by Hampton

IMPORTANT SAFETY INFORMATION

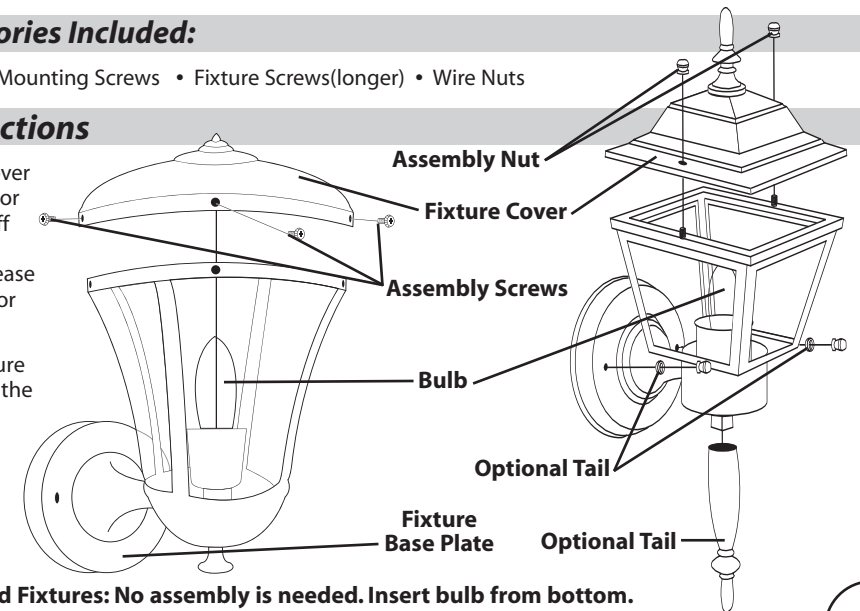
- TURN POWER OFF AT THE MAIN POWER PANEL OR FUSE BOX BEFORE INSTALLING OR REPLACING THE FIXTURE AND/OR WHEN REPLACING THE BULBS.
- THIS PRODUCT MUST BE INSTALLED IN ACCORDANCE WITH ALL APPLICABLE INSTALLATION CODES BY A PERSON FAMILIAR WITH THE CONSTRUCTION AND OPERATION OF THE PRODUCT AND THE HAZARDS INVOLVED.
- If you are not familiar with electrical wiring, it is recommended that you secure the services of a qualified electrician who can assure that this installation meets local, state, and national codes.
- Before installing this fixture, be sure to check with local ordinances regarding approved outdoor lighting.
- The electrical system and the method of connecting this fixture to the system must be in accordance with local, state, and national electrical codes.
- This fixture is to be connected to a 120-Volt, 60 Hz power source.
- Connecting to a different power source may create a hazard and will void the warranty.
- Do not use near or around flammable/combustible materials or liquids.
- The bulb and unit can get hot during use. Turn off the power and allow the unit to cool down for at least 20 minutes before working on the unit.
- Never use a bulb with a higher wattage than the stated maximum wattage allowed for the fixture.
- Using a higher wattage bulb may cause a fire hazard and/or cause damage to the unit.
- If it becomes necessary to replace the glass, only use a tempered safety glass of equal thickness.
- Do not attempt to open the fixture housing. There are no serviceable parts inside.
- All outdoor fixtures should be mounted to a grounded junction box marked for use in wet locations.

Mounting Accessories Included:

- Mounting Cross Bar • Mounting Screws • Fixture Screws(longer) • Wire Nuts

Assembly Instructions

- Remove the cover assembly nuts or screws. Take off the cover and insert bulb. Please see diagrams for detail.
- Put on the fixture cover. Tighten the roof assembly nuts or screws.



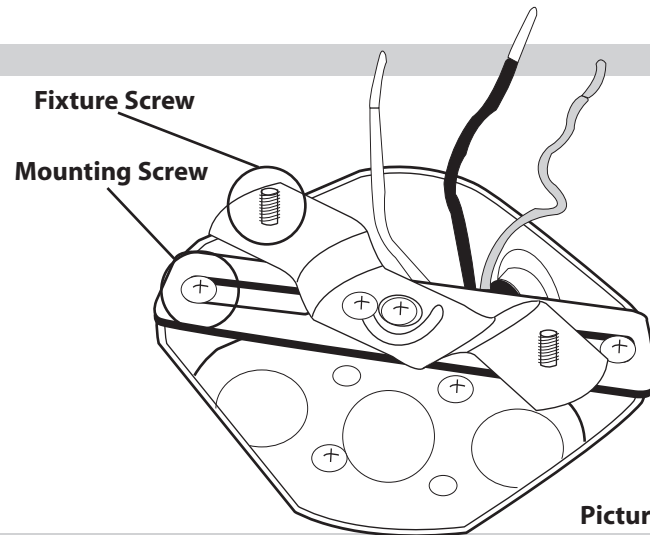
For Pre-Assembled Fixtures: No assembly is needed. Insert bulb from bottom.

Instruction

ATTENTION: PLEASE TURN OFF POWER BEFORE AND DURING INSTALLATION

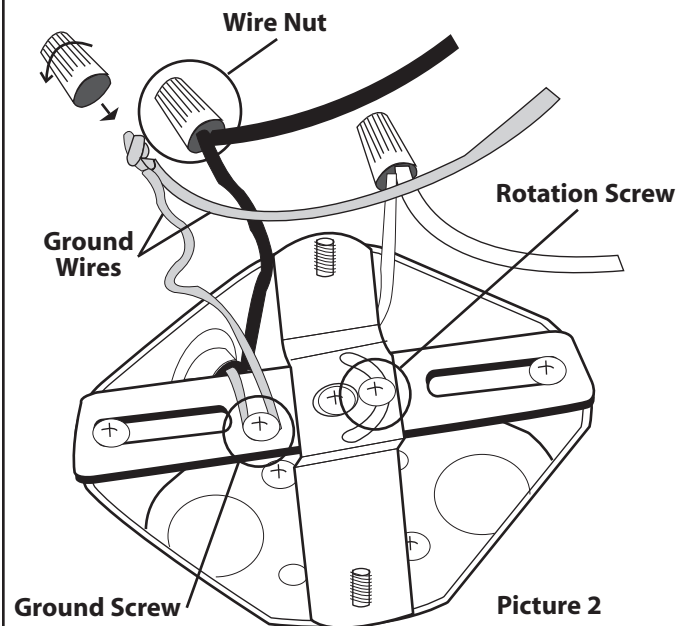
1. Preparation

Pull out all wires (Black, white, and ground) out of junction box. Thread the provided fixture screws into crossbar as shown in **picture 1**. Mount the crossbar to junction box by using provided mounting screws as shown in **picture 1**.



Picture 1

2. Wiring



Picture 2

Using wire nuts, connect the white wire from fixture to the white wire from junction box. Next, connect the black wire from fixture and the black wire from junction box as shown in **picture 2**.

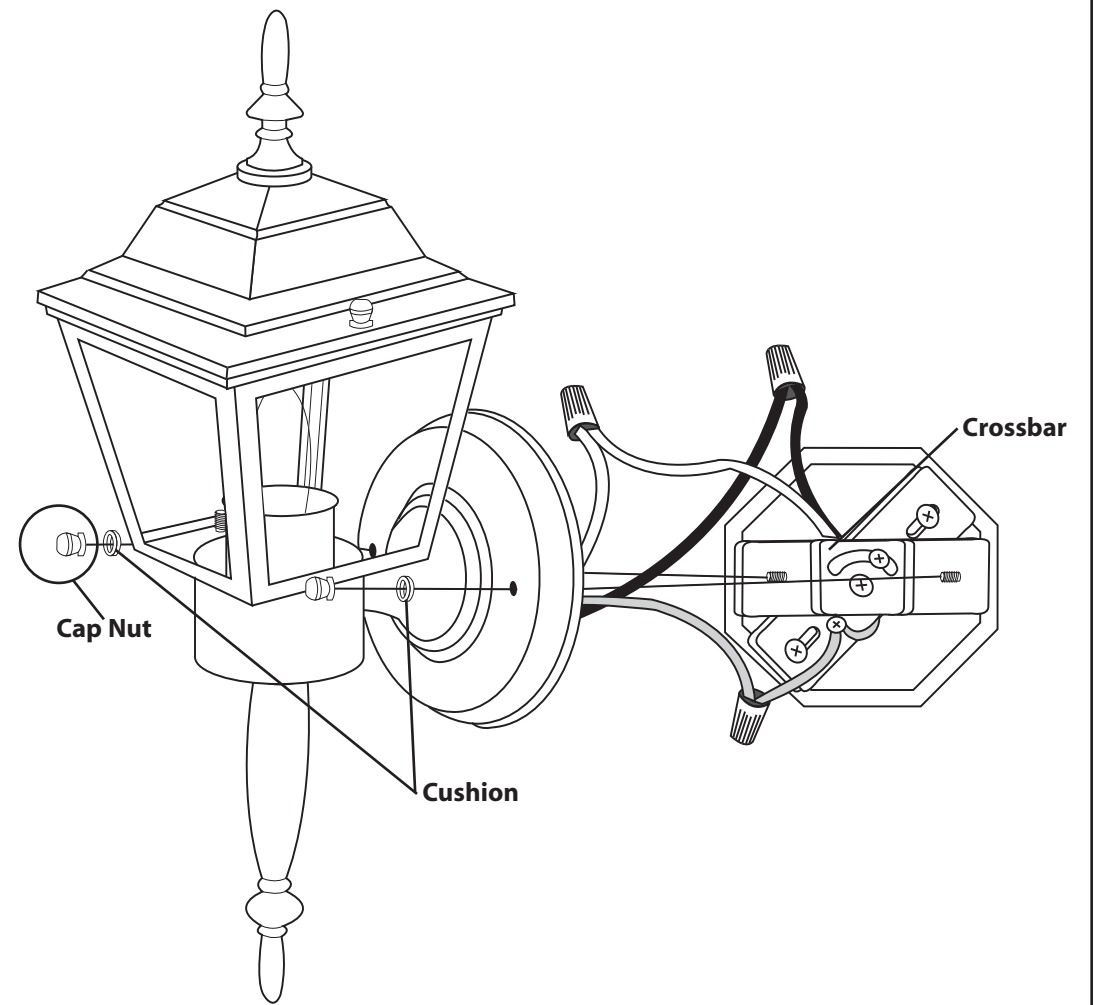
If your junction box has a ground wire, pull the ground wire from junction box. Then wrap it around the ground screw as shown in **picture 2**. Tighten the ground screw and leave 2 to 3 inches in excess beyond ground screw. Connect the junction ground wire and the fixture ground wire.

Tighten the rotation screw to secure the crossbar.

(Note: Some junction boxes might NOT have a ground wire. In this case, connect the ground wire from the fixture to the mounting/cross bar.)

3. Wall Mount Installation

- Attach fixture to mounting cross bar as shown in picture.
- Use a clear silicone caulk around the outside of fixture's base-plate to seal the junction box.
- Tighten cap nuts to secure fixture to the junction box.



Picture 3